



PA 106



PA 200 T



4"



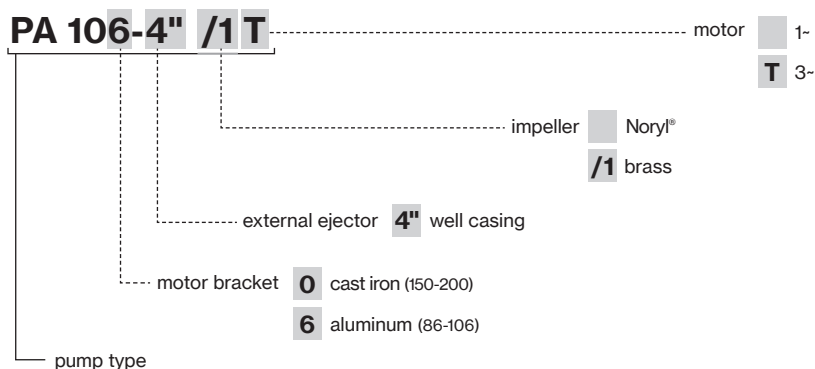
Self-priming centrifugal pumps with 4" external ejector. Suitable for water supply (even if mixed with air) of small domestic systems, that can be connected to an autoclave tank.

Construction features

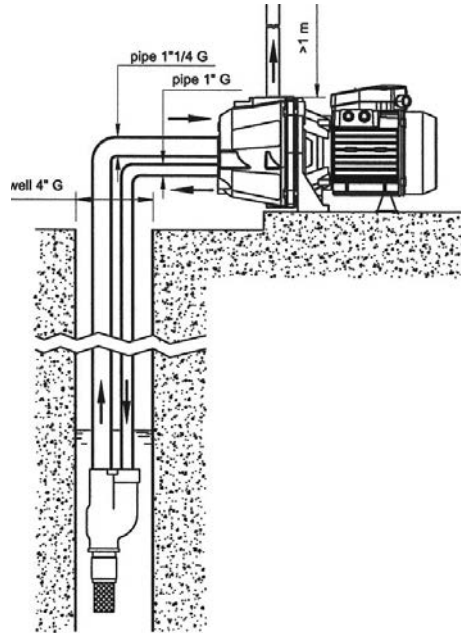
Pump body	cast iron
Motor bracket	aluminum (86÷106), cast iron (150÷200)
Impeller	Noryl® or brass
Mechanical seal	ceramic-graphite-NBR
Motor shaft	stainless steel AISI 416 (86÷106), stainless steel AISI 303 hydraulic part (150÷200)
Liquid temperature	0 - 50 °C
Operating pressure	max 8 bar

Motor

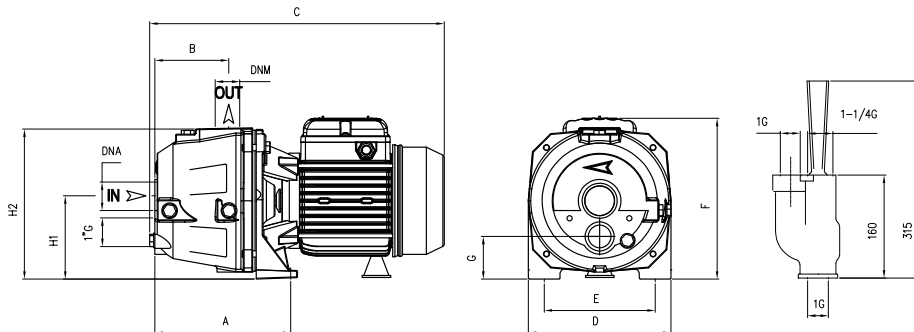
	3~ 230/400V - 50Hz
2 poles induction motor	1~ 230V - 50Hz (with thermal protection)
Insulation class	F
Protection degree	IPX4



TYPE	LOTS			
	TRUCK		CONTAINER	
	PALLET (cm)	N° pumps	PALLET (cm)	N° pumps
PA 86-106	85×110×145	60	85×110×190	80
PA 150-200	80×120×140	35	80×120×190	49



TYPE		P2		P1 (kW)		AMPERE		Ejector type	Suction depth. m	Q (m ³ /h - l/min)									
1~	3~	HP	kW	1~	3~	1-230 V 50 Hz	3-400 V 50 Hz			H (m)									
										0,18 3	0,36 6	0,6 10	0,9 15	1,2 20	1,5 25	1,8 30	2,1 35	3 50	3,6 60
PA 86	PA 86T	0,8	0,59	0,8	0,81	3,7	1,4	P 20	15 20	31 28	28 23	25 18	22 15	19 13	17 11	15	12		
								P 30	25 30	22 14	16 8	11 8							
PA 106	PA 106T	1	0,74	1,02	1,05	4,7	2,3	P 20	15 20	40 37	37 34	34 30	30 25	27 21	24 17	21	18		
								P 30	25 30 35	30 14 12	25 8 4	20	14	11					
PA 150	PA 150T	1,5	1,1	1,65	1,65	8,2	3	P 20	15 20 25						50 45 34	42 37 34	35 30 27	25 21	21
								P 30	35 40 50		49 43 20	49 40 20	41	20					
PA 200	PA 200T	2	1,5	2,22	2,22	10,3	4,1	P 20	15 20 25						50 44 40	46 43 40	35 32 28	30 27 23	
								P 30	35 40 50		49 46 40	46 30			28 20				



TYPE	DIMENSIONS (mm)														Kg
	A	B	C	D	E	F	G	H1	H2	DNA	DNM	I	L	M	
PA 86	168	82	360	180	140	195	52	97	188	1" 1/4 G	1" G	440	200	225	16
PA 106	168	82	360	180	140	195	52	97	188			440	200	225	18
PA 150	125	74	415	220	177	230	60	112	240			525	230	280	28,5
PA 200	125	74	415	220	177	230	60	112	240			525	230	280	29