



Peripheral positive displacement pumps with side suction for small household systems and simple industrial applications; characterised by a considerable ratio between performance and required power; frontal brass insert avoiding the risk of blockage.

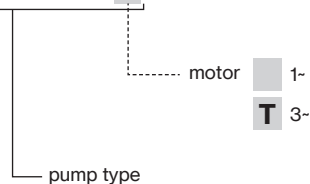
Construction features

Pump body	cast iron and brass
Motor bracket	cast iron
Impeller	brass
Mechanical seal	ceramic-graphite-NBR
Motor shaft	stainless steel AISI 416
Liquid temperature	0 - 90 °C
Operating pressure	max 8 bar

Motor

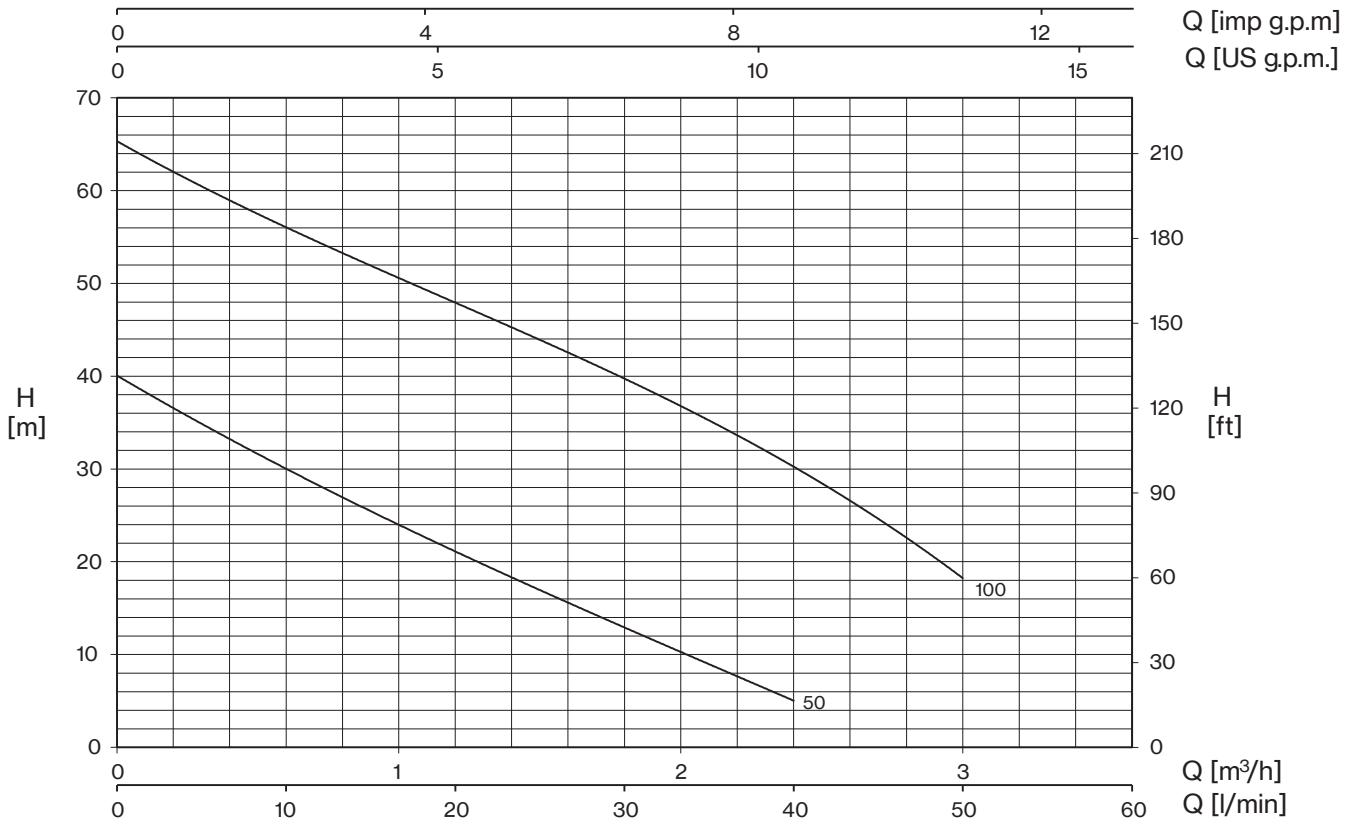
	3~ 230/400V - 50Hz
2 Poles induction motor	1~ 230V - 50Hz (with thermal protection)
Insulation class	F
Protection degree	IPX4

PL 50 T

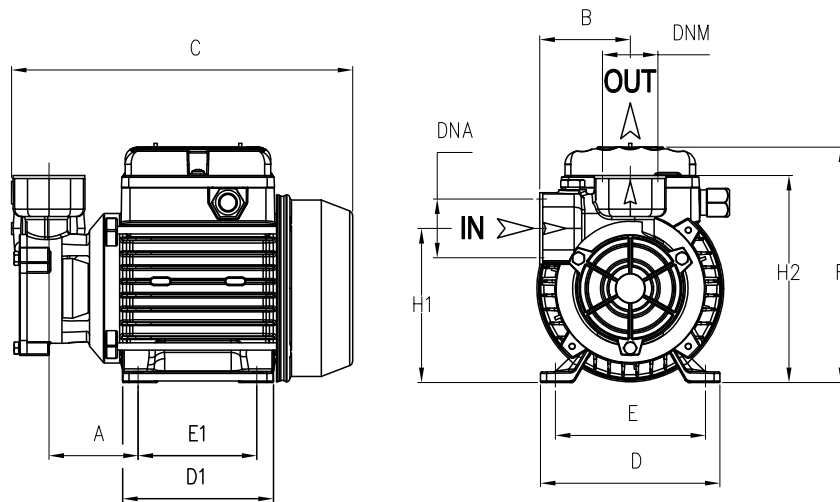


TYPE	LOTS			
	TRUCK		CONTAINER	
	PALLET (cm)	N° pumps	PALLET (cm)	N° pumps
PL 50	85×110×170	207	85×110×190	220
	80×120×170	198	80×120×190	230
PL 100	85×110×170	105	85×110×190	135
			80×120×170	136





TYPE - 50 Hz		P2		P1		CURRENT		Q (m³/h - l/min)					
1~	3~			1~	3~	1~ 230V	3~ 400V	0,3	0,6	1,2	1,8	2,4	3
		HP	kW	kW		A		5	10	20	30	40	50
		H (m)											
PL 50	PL 50T	0,5	0,37	0,5	0,5	2,3	1,0	35,0	30,0	21,0	13,0	5,0	
PL 100	PL 100T	1	0,74	1,11	1,13	5,2	2,0	61,0	56,0	48,0	39,0	31,0	18,0



TYPE		DIMENSIONS (mm)															
1~	3~	A	B	C	D	D1	E	E1	F	H1	H2	DNA	DNM	I	L	M	Kg
PL 50	PL 50T	67	60	235	120	101	97	80	165	105	140			265	145	165	5,7
PL 100	PL 100T	71,5	60	263	135	112	112	89	172	124	156	1" G	1" G	310	185	195	9,2