

SWIMMEY

SURFACE PUMPS - SELF-PRIMING

- High hydraulic performances
- Excellent priming capacity
- Wide range of performance levels for the residential market
- Sturdy and resistant
- High-efficiency motors according to EU(2019)/1781



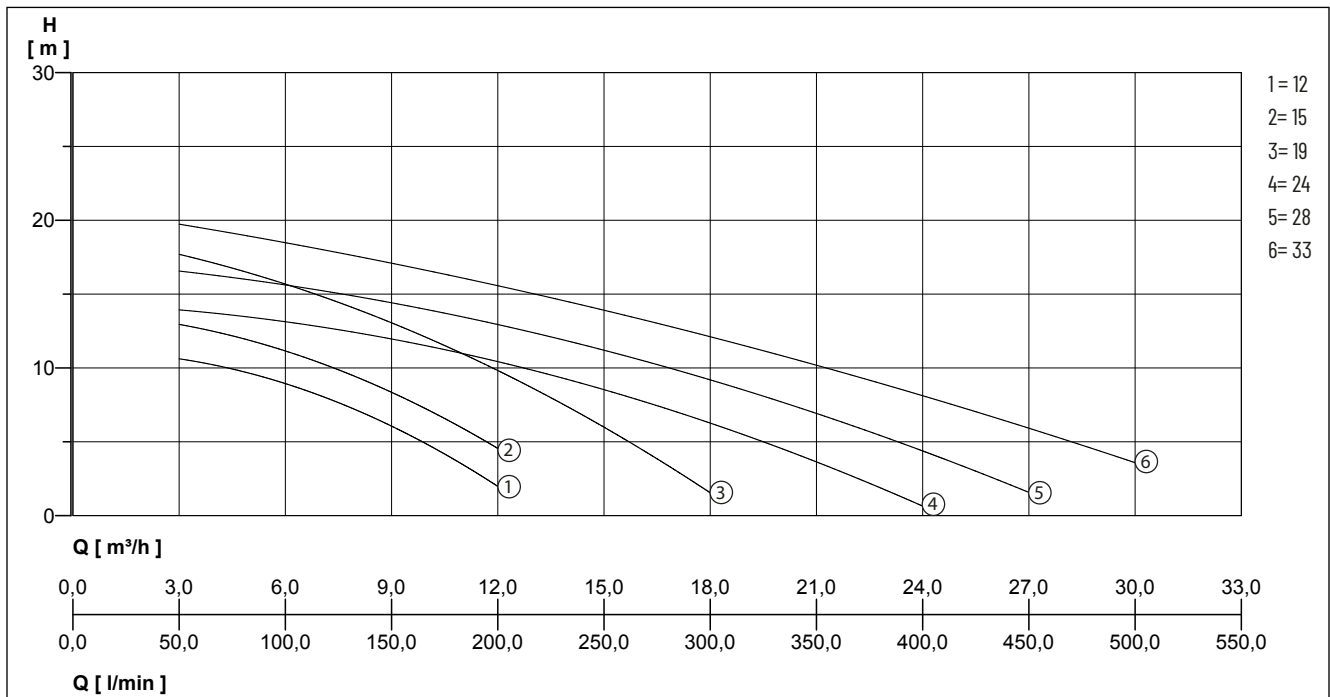
DESCRIPTION

The SWIMMEY series pumps are designed to achieve maximum reliability regarding filtering in the recirculation of water treated with chlorine.

APPLICATIONS

- Recirculation and filtration of water for swimming pools and basins.

PERFORMANCE



We reserve the right to change specifications without notice. Pump performance is subject to ISO 9906 ISO 9906:2012 - Grade 3B tolerances.

Type	Flow rate Q [m³/h]	6	9	12	18	21	24	27	30
SWIMMEY 12 M/T	Delivery head H [m]	9.0	6.0	2.0					
SWIMMEY 15 T/M		11.0	8.5	4.5					
SWIMMEY 19 M/T		15.5	13.0	10.0	1.5				
SWIMMEY 24 M/T		13.0	12.0	10.5	6.0	4.0	0.5		
SWIMMEY 28 M/T		15.5	14.5	13.0	9.0	7.0	4.5	1.5	
SWIMMEY 33 M/T		18.5	17.0	15.5	12.0	10.5	8.0	6.0	3.5

SWIMMEY

SURFACE PUMPS - SELF-PRIMING

MECHANICAL DATA

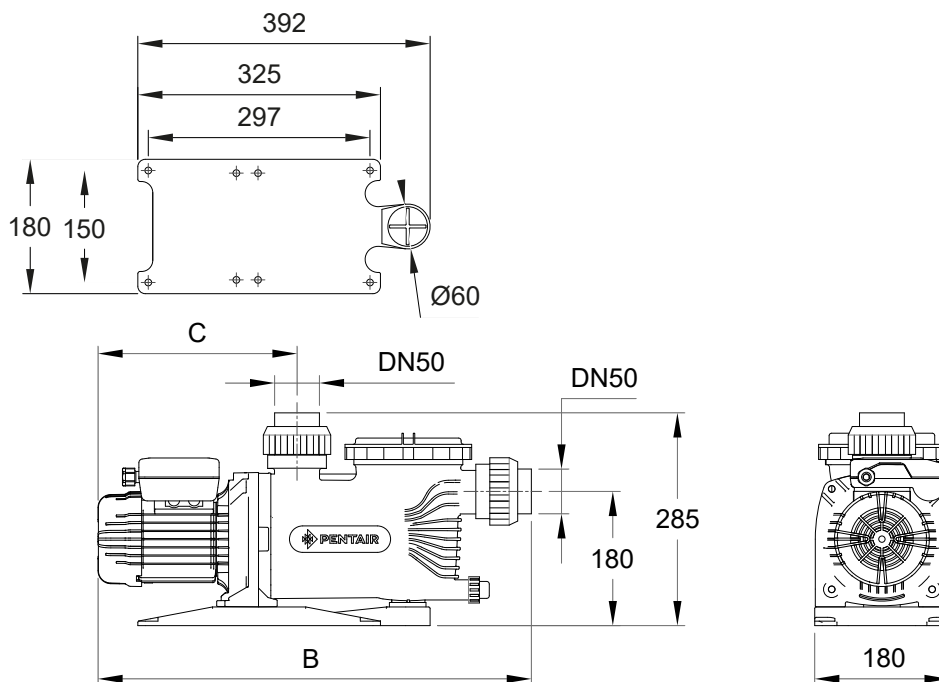
Bearing	Self-lubricating ball bearings.	Mechanical seal	Graphite
Shaft	in stainless steel with insulating element	Counterface	Ceramic
Impeller	Made of fibreglass reinforced Lexan (resistant to sand abrasion)	Operating pressure max.	2.5 bar
Pump housing	ABS	Type of liquid	swimming pool water treated with chlorine
Diffuser	Made of fibreglass reinforced Lexan (resistant to sand abrasion)	Temperature of the liquid max.	40 °C
		Suction height max	3 m

ELECTRICAL DATA

Type of enclosure	IP X5	Ambient temperature max.	40 °C
Insulation class	F		

SWIMMEY

Type	Code No.	Voltage	Motor rating		Current	Weight
			P1	P2		
SWIMMEY 12 M	N7241660	1/N/PE~230 V	0.47 kW	0.37 kW	2.0 A	8.0 kg
SWIMMEY 12 T	N7241600	3/N/PE~400 V	0.55 kW	0.40 kW	1.7 A/1.1 A	8.0 kg
SWIMMEY 15 T	N7241610	3/N/PE~400 V	0.65 kW	0.50 kW	2.2 A/1.3 A	8.5 kg
SWIMMEY 15 M	N7241670	1/N/PE~230 V	0.56 kW	0.37 kW	2.5 A	8.5 kg
SWIMMEY 19 M	N7241680	1/N/PE~230 V	1.06 kW	0.75 kW	5.1 A	10.2 kg
SWIMMEY 19 T	N7241620	3/N/PE~400 V	1.10 kW	0.90 kW	3.4 A/1.9 A	10.2 kg
SWIMMEY 24 M	N7241690	1/N/PE~230 V	1.06 kW	0.75 kW	5.1 A	11.0 kg
SWIMMEY 24 T	N7241630	3/N/PE~400 V	1.10 kW	0.90 kW	3.4 A/1.9 A	11.0 kg
SWIMMEY 28 M	N7241700	1/N/PE~230 V	1.47 kW	1.30 kW	6.5 A	13.0 kg
SWIMMEY 28 T	N7241640	3/N/PE~400 V	1.40 kW	1.30 kW	4.5 A/2.6 A	13.0 kg
SWIMMEY 33 M	N7241710	1/N/PE~230 V	1.78 kW	1.30 kW	8.0 A	14.5 kg
SWIMMEY 33 T	N7241650	3/N/PE~400 V	1.75 kW	1.50 kW	5.8 A/3.4 A	14.5 kg



SWIMMEY

SURFACE PUMPS - SELF-PRIMING

DIMENSIONS [mm]

Type	A	B	C	D	DN	E
SWIMMEY 12 M/T	285	580	270	180	50	180
SWIMMEY 15 T/M	285	580	270	180	50	180
SWIMMEY 19 M/T	285	600	290	180	50	180
SWIMMEY 24 M/T	285	600	290	180	50	180
SWIMMEY 28 M/T	285	625	315	180	50	180
SWIMMEY 33 M/T	285	625	315	180	50	180

SWIMMEY

SURFACE PUMPS - SELF-PRIMING