



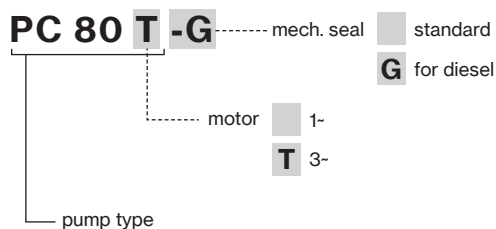
Volumetric pumps with liquid ring impeller that gives considerable suction power. Particularly suitable for liquid transfer (including volatile liquids). The pumps have a frontal brass cover thus avoiding the risk of blockage.

### Construction features

<b>Pump body</b>	cast iron and brass
<b>Motor bracket</b>	cast iron
<b>Impeller</b>	brass
<b>Mechanical seal</b>	ceramic-graphite-NBR
<b>Motor shaft</b>	stainless steel AISI 416
<b>Liquid temperature</b>	0 - 90 °C
<b>Operating pressure</b>	max 8 bar

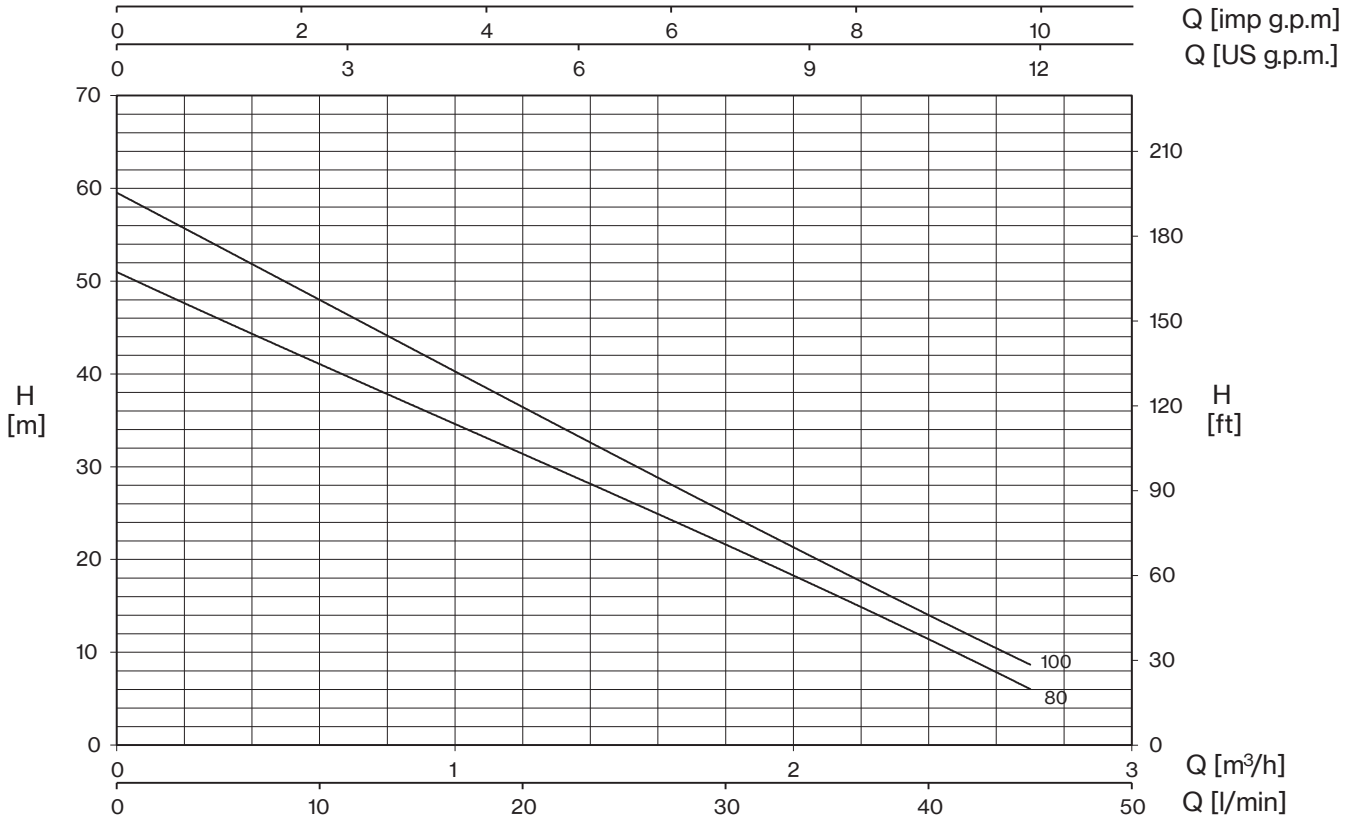
### Motor

	3~ 230/400V - 50Hz
<b>2 Poles induction motor</b>	1~ 230V - 50Hz (with thermal protection)
<b>Insulation class</b>	F
<b>Protection degree</b>	IPX4

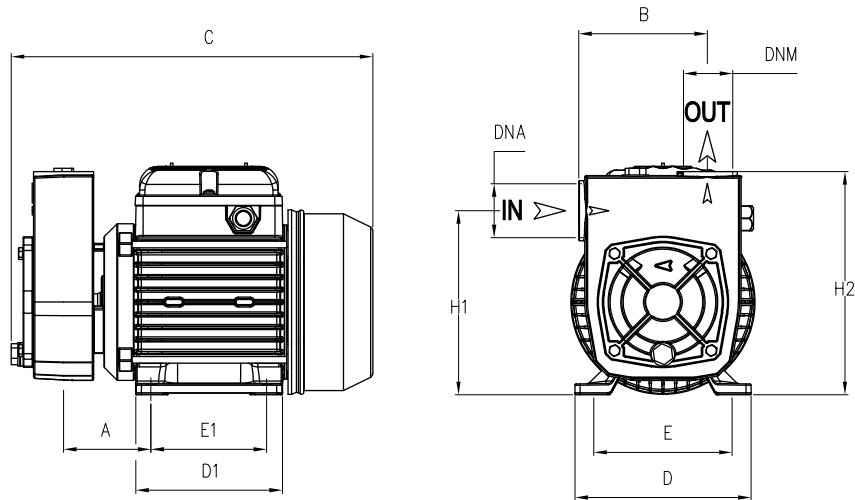


TYPE	LOTS			
	TRUCK		CONTAINER	
	PALLET (cm)	N° pumps	PALLET (cm)	N° pumps
<b>PC 80-100</b>	85×110×170	105	85×110×190 80×120×170	135 136





TYPE - 50 Hz		P2		P1		CURRENT		Q (m³/h - l/min)					
1-	3-			1-	3-	1- 230V	3- 400V	0,3 5	0,6 10	1,2 20	1,8 30	2,4 40	2,7 45
		HP	kW	kW		A		H (m)					
<b>PC 80</b>	<b>PC 80T</b>	0,8	0,59	1,03	0,94	5,0	1,7	46,0	41,0	31,5	21,5	11,5	6,0
<b>PC 100</b>	<b>PC 100T</b>	1,0	0,74	1,17	0,98	5,4	2,1	53,0	48,0	37,0	25,0	13,5	9,0



TYPE		DIMENSIONS (mm)														
1-	3-	A	B	C	D	D1	E	E1	H1	H2	DNA	DNM	I	L	M	Kg
<b>PC 80</b>	<b>PC 80T</b>	70	98,5	270	135	112	112	89	141	170			310	185	195	11,1
<b>PC 100</b>	<b>PC 100T</b>	70	98,5	270	135	112	112	89	141	170	1" G	1" G	310	185	195	11,8