

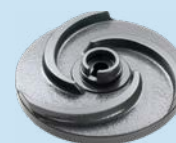
FC 160-310

FC 410-1000 T

FC 410-1000 T/P



Centrifugal drainage high head pumps ideal for civil and industrial applications, specifically designed for very heavy use. Available in the mobile or permanent versions with coupling feet.



Grey water

### Construction features

**Painting** cataphoresis

**Pump body** cast iron



**Impeller** cast iron

**Mechanical seal** double seal with oil barrier; silicon carbide on pump side, ceramic-graphite on motor side

**Motor shaft** stainless steel AISI 304

**Free passage** Ø max 10 mm

**Max submergence** 20 m

**Liquid temperature** 0 - 40 °C

**Cable** H07 RN8F, 10 m

**Bolts** A2 stainless steel

**Foot support** galvanized iron

**Gaskets** NBR rubber

### Motor

3- 230V - 50Hz

3- 400V - 50Hz

3- 230/400V - 50Hz

3- 400/690V - 50Hz

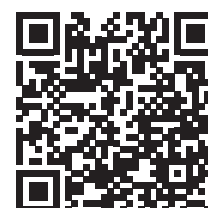
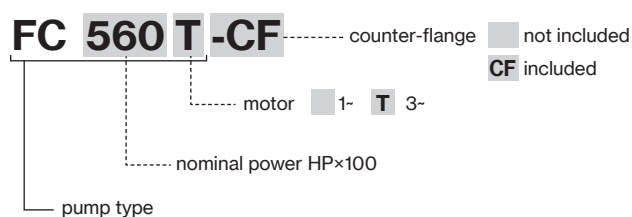
#### 2 Poles induction motor

1- 230V-50Hz

required run capacitor (35µF for 1,5HP model, 50µF for 2HP model)

**Insulation class** F

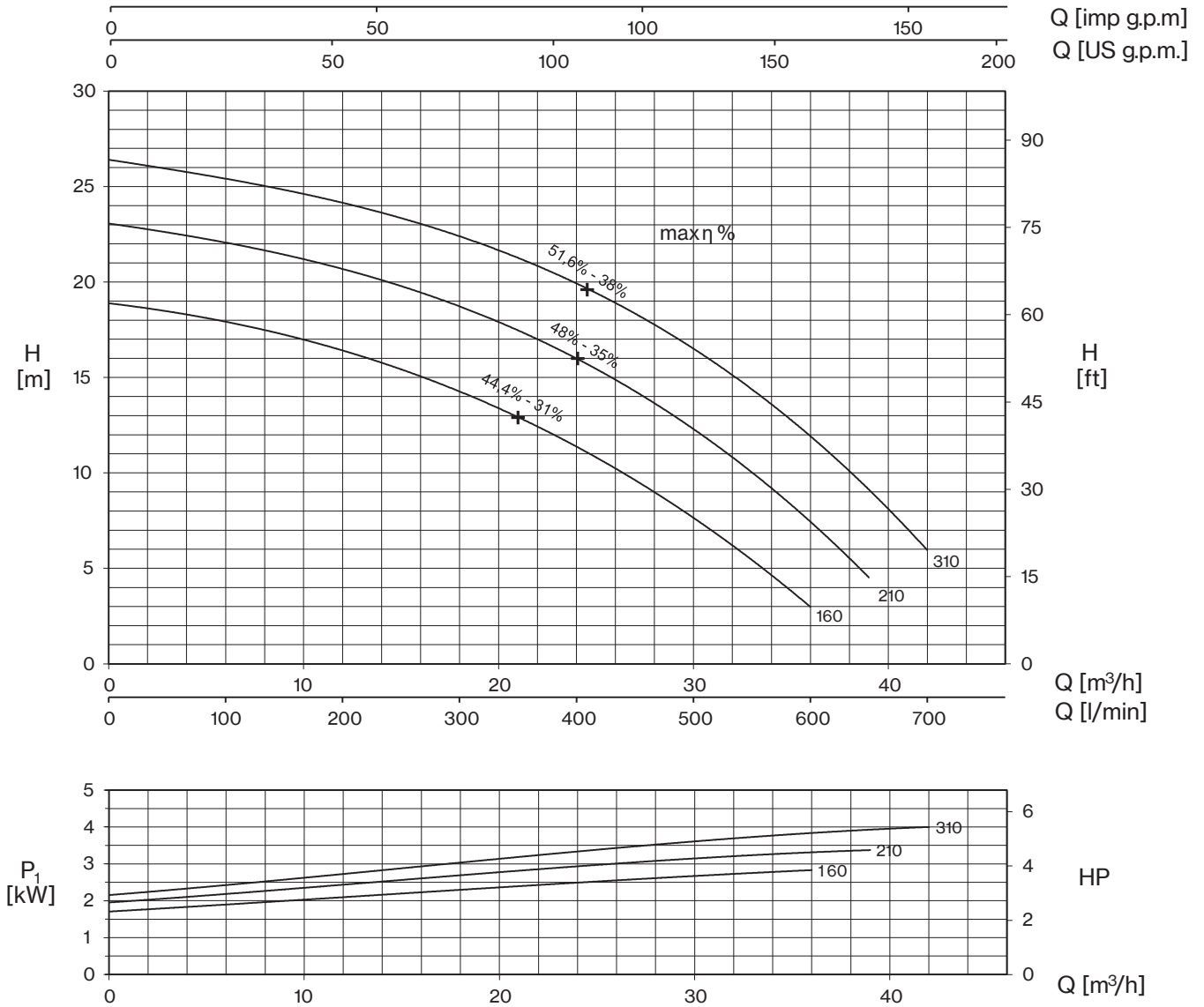
**Protection degree** IPX8



TYPE	LOTS			
	TRUCK		CONTAINER	
	PALLET (cm)	N° pumps	PALLET (cm)	N° pumps
FC 160÷310	85×110×145	18	85×110×190	27
FC 410-560T	85×110×170	12	85×110×170	12
FC 750-1000T	100×120×190	12	100×120×190	12



# FC



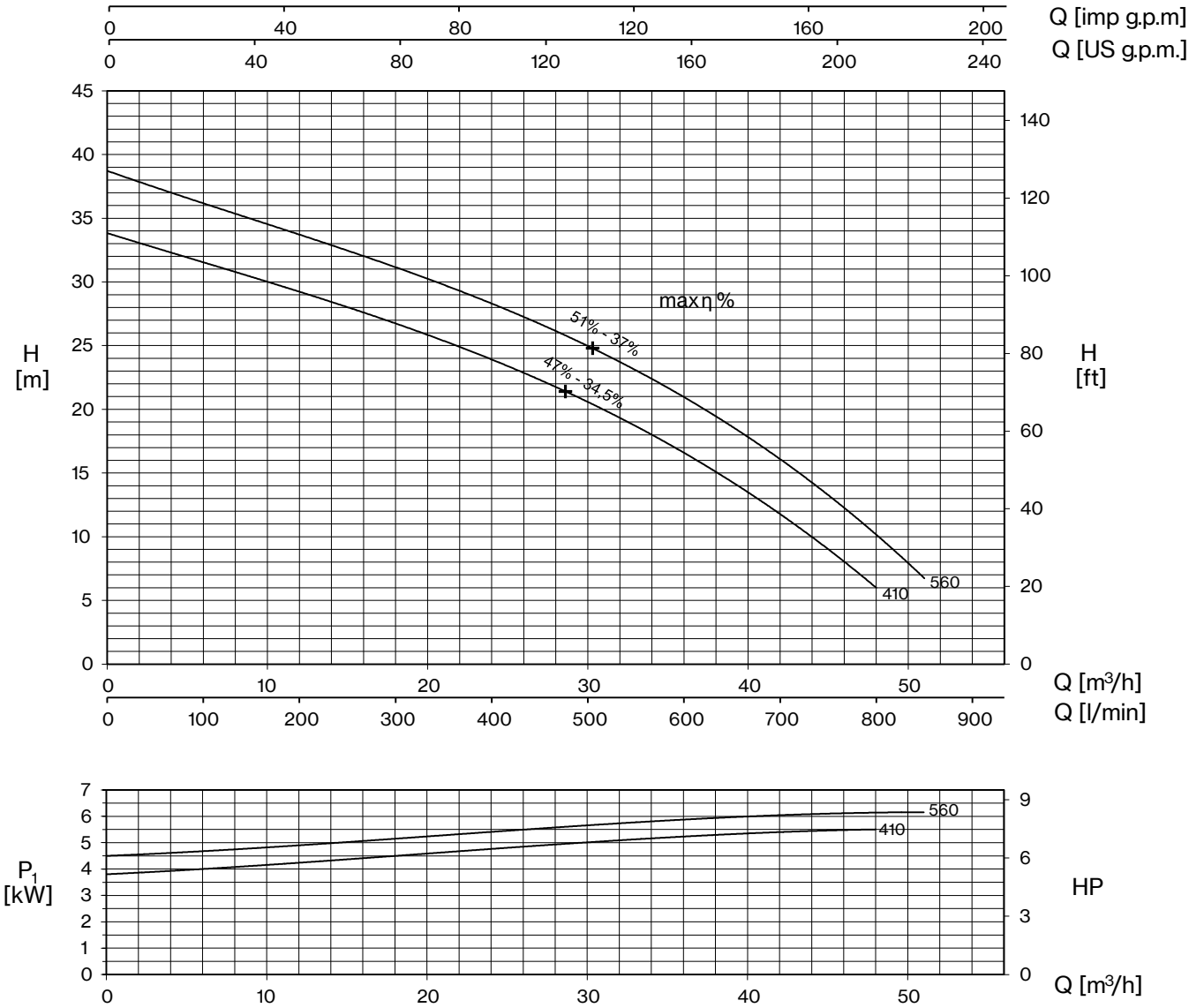
TYPE		AMPERE				
1~	3~	230V 50 Hz	3~ 230V 50 Hz (*)	3~ 400V 50 Hz	230/400 V 50 Hz λ / Δ (*)	400/690 V 50 Hz λ / Δ
FC 160	FC 160T	13,8	8,3	4,8	-	-
FC 210	FC 210T	16,5	10,2	5,9	-	-
-	FC 310T	-	12,0	6,9	-	-

**+ max η %**

max hydraulic efficiency and respective total efficiency

(\*) no standard execution

TYPE		P2		P1 (kW)		Q (m³/h - l/min)									
1~	3~	HP	kW	1~	3~	0	6	12	18	24	30	36	39	42	
						0	100	200	300	400	500	600	650	700	
						H (m)									
FC 160	FC 160T	1,5	1,1	3,0	2,8	18,9	17,9	16,4	14,3	11,4	7,6	3,0			
FC 210	FC 210T	2	1,5	3,7	3,4	23,0	22,2	20,7	18,6	15,9	12,5	7,4	4,5		
-	FC 310T	3	2,2	-	4,0	26,4	25,4	24,2	22,4	19,9	16,4	12,1	9,1	5,9	



TYPE	AMPERE			
	3- 230V 50 Hz (*)	3- 400V 50 Hz	230/400 V 50 Hz λ/Δ (*)	400/690 V 50 Hz λ/Δ
FC 410T	15,4	8,9	-	-
FC 560T	17,6	10,2	-	-

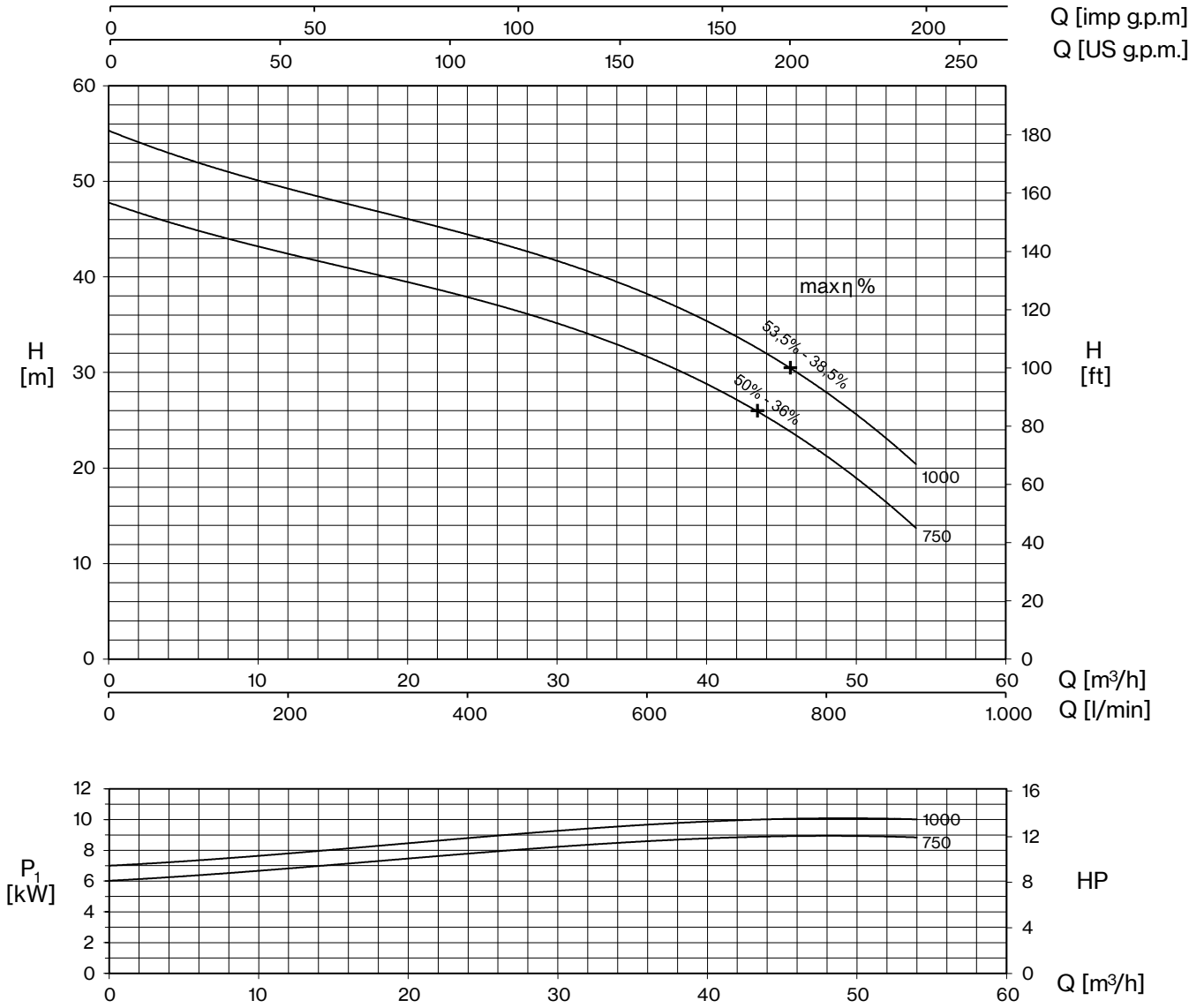
(\*) no standard execution

+ max η %

max hydraulic efficiency and respective total efficiency

TYPE	P2		P1 (kW)	Q (m³/h - l/min)										
				0	6	12	18	24	30	36	42	48	51	
	HP	kW	3-	0	100	200	300	400	500	600	700	800	850	
FC 410T	4	3	5,5	33,8	31,6	29,2	26,8	23,9	20,5	16,5	12,0	5,9		
FC 560T	5,5	4	6,3	38,7	36,1	33,9	31,2	28,3	24,7	20,9	16,3	10,4	6,5	

# FC



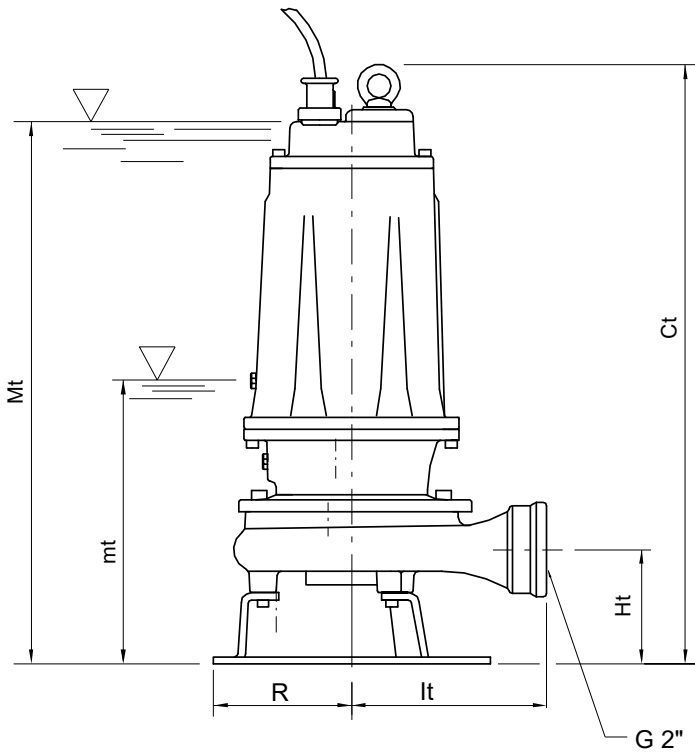
TYPE	AMPERE			
	3~ 230V 50 Hz (*)	3~ 400V 50 Hz	230/400 V 50 Hz λ / Δ (*)	400/690 V 50 Hz λ / Δ
FC 750T	-	15,3	26,5	15,3
FC 1000T	-	17,5	30,3	17,5

**+ max η %**

max hydraulic efficiency and respective total efficiency

(\*) no standard execution

TYPE	P2		P1 (kW)	Q (m³/h - l/min)								
				0	12	18	24	30	36	42	48	54
	HP	kW	3~	0	200	300	400	500	600	700	800	900
FC 750T	7,5	5,5	9,0	47,6	42,9	40,4	37,7	34,7	31,2	27,4	22,3	13,1
FC 1000T	10	7,5	10,3	55,1	49,8	47,1	44,2	41,1	37,8	34	29,1	19,7

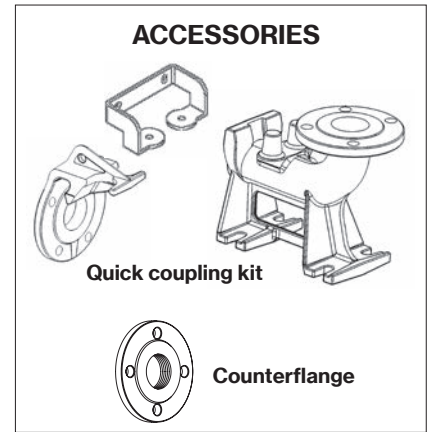
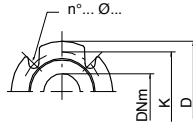
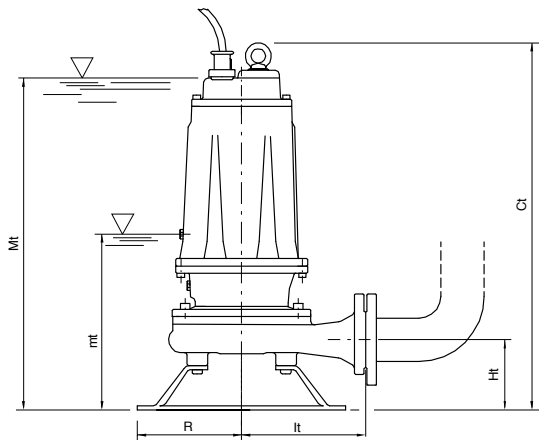


mt: minimum working level  
 Mt: minimum submencence level for  
 continous duty

TYPE	DIMENSIONS (mm)							Kg
	Ct	Ht	R	lt	mt	Mt	DNM	
FC 160 - FC 160T	513	102	117	174	205	475	2" G	37
FC 210 - FC 210T	513	102	117	174	205	475	2" G	37,5
FC 310T	513	102	117	174	205	475	2" G	37

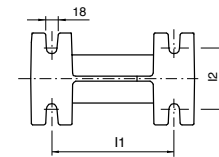
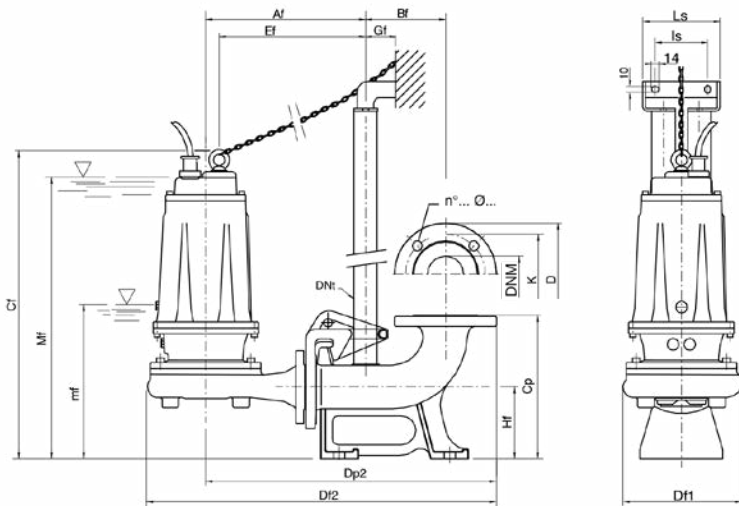
TYPE	PROTECTION		1 PUMP CONTROL PANEL			2 PUMPS CONTROL PANEL		
	1- 230V	3- 400V	1- 230V	3- 400V	400/690 V	1- 230V	3- 400V	400/690 V
FC 160	PMC 15/35-15	PT 20-30-40/4.3-6.8	EQSM + 35µF	EQSMT 10		EQ2SM + 2×35µF	EQ2SMT 10	
FC 210	PMC 20/50-18	PT 20-30-40/4.3-6.8	EQSM + 50µF	EQSMT 10		EQ2SM + 2×50µF	EQ2SMT 10	
FC 310T		PT 40-50/5.7-9.1		EQSMT 10			EQ2SMT 10	
FC 410T		PT 55-75/8.6-13.5		EQSMT 10			EQ2SMT 10	
FC 560T		PT 55-75/8.6-13.5		EQSMT 10			EQ2SMT 10	
FC 750T		PT 100/12.5-16.5		EQSMT 10	QST 7		EQ2SMT 10	Q2ST 7
FC 1000T		PT 125-150/16-21		EQSMT 10	QST 10		EQ2SMT 10	Q2ST 10

# FC



mt: minimum working level  
Mt: minimum submergence level for continuous duty

TYPE	DIMENSIONS (mm)							Kg
	Ct	Ht	R	lt	mt	Mt	DNM	
FC 410T	595	112	160	187	263	550	50	60,5
FC 560T	595	112	160	187	263	550	50	63,5
FC 750T	680	160	180	250	280	630	65	91
FC 1000T	680	160	180	250	280	630	65	93,5



mf: minimum working level  
Mf: minimum submergence level for continuous duty

TYPE	DIMENSIONS (mm)																		
	Af	Bf	Cf	Cp	Df1	Df2	Dp2	Dnt	Ef	Gf	Hf	I1	I2	Is	Ls	mf	Mf	DNM	
FC 410T/P	300	145	614	260	237	654	535	1" 1/4	269	55	130	200	100	95	140	290	566	50	
FC 560T/P	300	145	614	260	237	654	535	1" 1/4	269	55	130	200	100	95	140	290	566	50	
FC 750T/P	331	145	656	260	279	701	569	1" 1/4	296	55	130	200	100	95	140	290	600	65	
FC 1000T/P	331	145	656	260	279	701	569	1" 1/4	296	55	130	200	100	95	140	290	600	65	

Flange UNI PN 10 (mm)			
DNM	K	D	n°... Ø...
50	125	165	4... 18...
65	145	185	4... 18...