



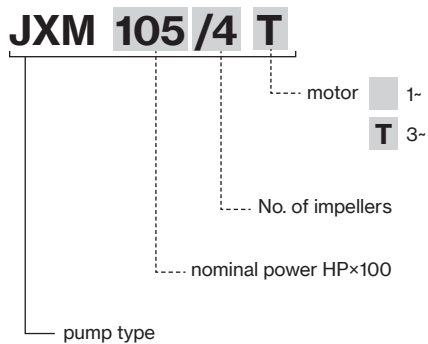
Multi-stage centrifugal pumps, horizontal and self-priming, particularly suitable for constructing small and medium sized pressurisation systems; able to suck liquids mixed with air.

### Construction features

<b>Pump body</b>	stainless steel AISI 304
<b>Motor bracket</b>	aluminum
<b>Impeller</b>	Noryl®
<b>Mechanical seal</b>	ceramic-graphite-NBR
<b>Pump shaft</b>	stainless steel AISI 416
<b>Liquid temperature</b>	0 - 50 °C
<b>Operating pressure</b>	max 8 bar

### Motor

	3~ 230/400V - 50Hz
<b>2 poles induction motor</b>	1~ 230V - 50Hz (with thermal protection)
<b>Insulation class</b>	F
<b>Protection degree</b>	IPX4



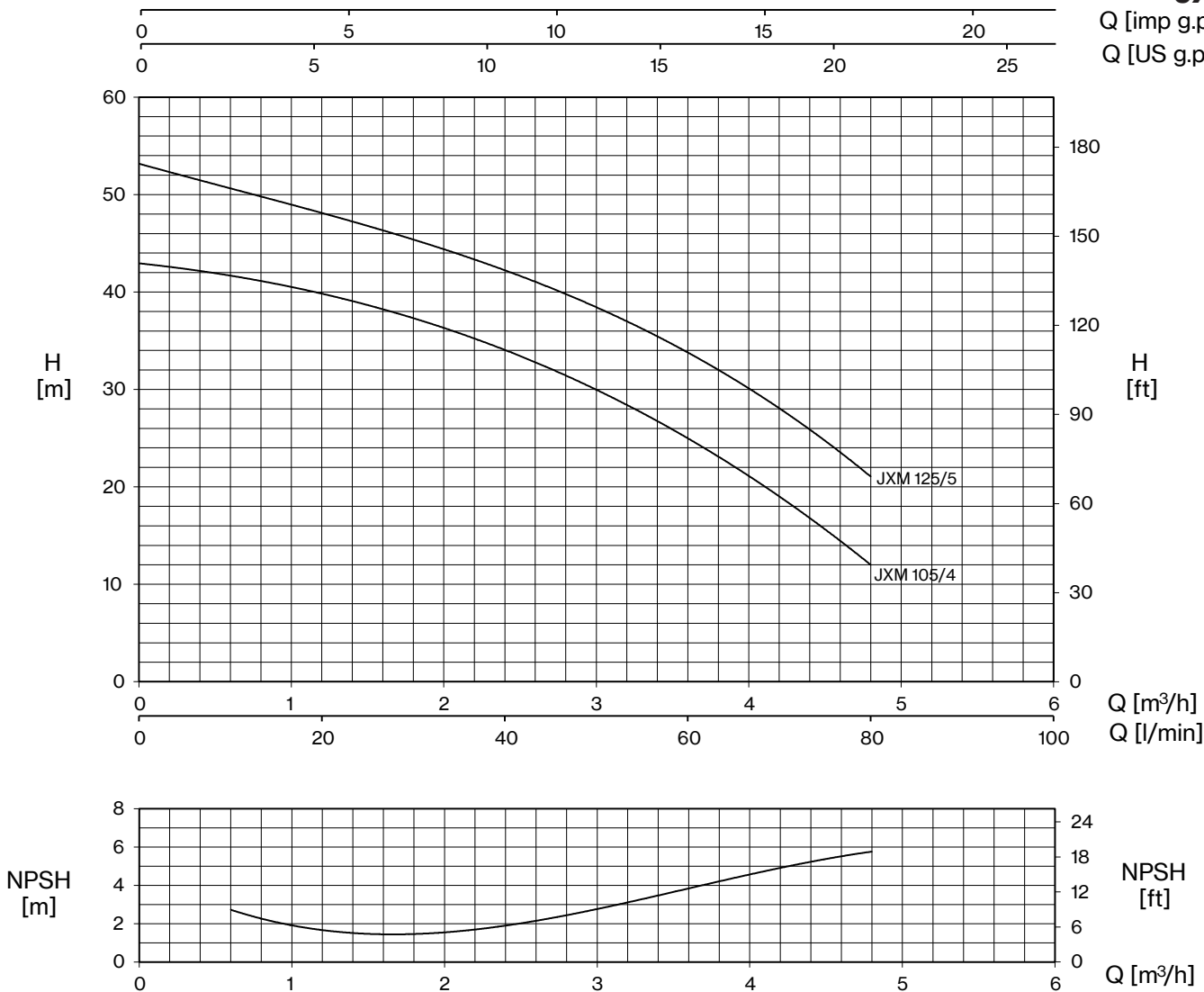
TYPE	LOTS			
	TRUCK		CONTAINER	
	PALLET (cm)	N° pumps	PALLET (cm)	N° pumps
<b>JXM</b>	85×110×170	60	85×110×190	80



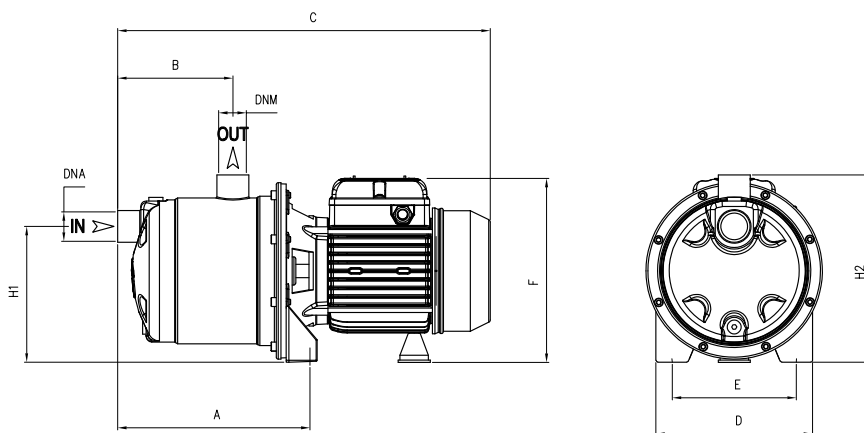
# JXM

Q [imp g.p.m.]

Q [US g.p.m.]



TYPE		P2		P1 (kW)		AMPERE		Q (m³/h - l/min)					
1~	3~	HP	kW	1~	3~	1~ 230V 50 Hz	3~ 400V 50 Hz	0	0,6	1,2	2,4	3,6	4,8
								0	10	20	40	60	80
		H (m)											
JXM 105/4	JXM 105/4T	1	0,74	1,07	1,1	5,0	1,9	43,0	41,5	40,0	34,0	25,0	12,0
JXM 125/5	JXM 125/5T	1,2	0,88	1,27	1,33	6,1	2,3	53,0	51,0	48,0	42,0	34,0	21,0



TYPE	DIMENSIONS (mm)													Kg
	A	B	C	D	E	F	H1	H2	DNA	DNM	I	L	M	
JXM 105/4	208	128	410	175	140	215	153	210	1" G	1" G	430	210	235	11
JXM 125/5	208	128	410	175	140	215	153	210	1" G	1" G	430	210	235	11,5

# JXM (Garden version)

Portable electropumps complete with handle, cable with plug and switch.  
The performances depend on adopted pump type.

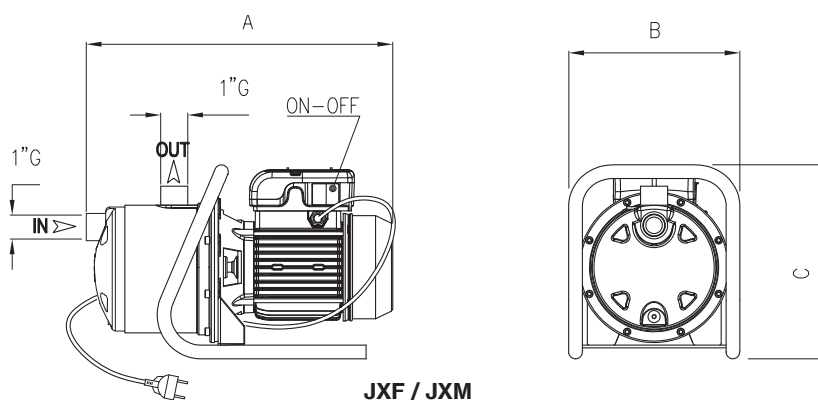


JXM

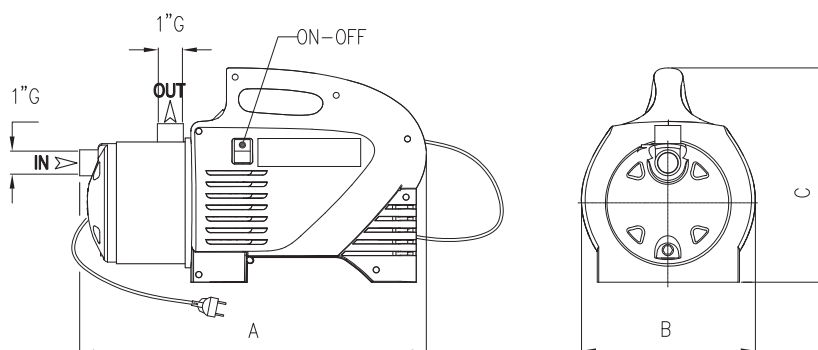


JXM BOX

TYPE	P2		P1 (kW)	Pipe		Performance	
	HP	kW		Suction ("G)	Delivery ("G)	Q (l/min)	H (m)
JXM 100/4/G	1	0,74	1,07	1	1	10-80	41,5-12
JXM 120/5/G	1,2	0,88	1,27	1	1	10-80	51-21



JXF / JXM



JXF / JXM

TYPE	DIMENSIONS (mm)		
	A	B	C
JXM 100/4/G	410	175	285
JXM 120/5/G	410	175	285
JXM 100/4 BOX	429	209	287