

MULTI EVO-SP

HORIZONTAL MULTISTAGE - SURFACE PUMPS

- Strong and resistant to salt water, it is the perfect partner for all pool cleaning devices
- High reliability - thanks to the durable and innovative design
- Silent operation - improved user comfort thanks to its silent operation
- Compact dimensions
- High-efficiency motors according to EU(2019)/1781



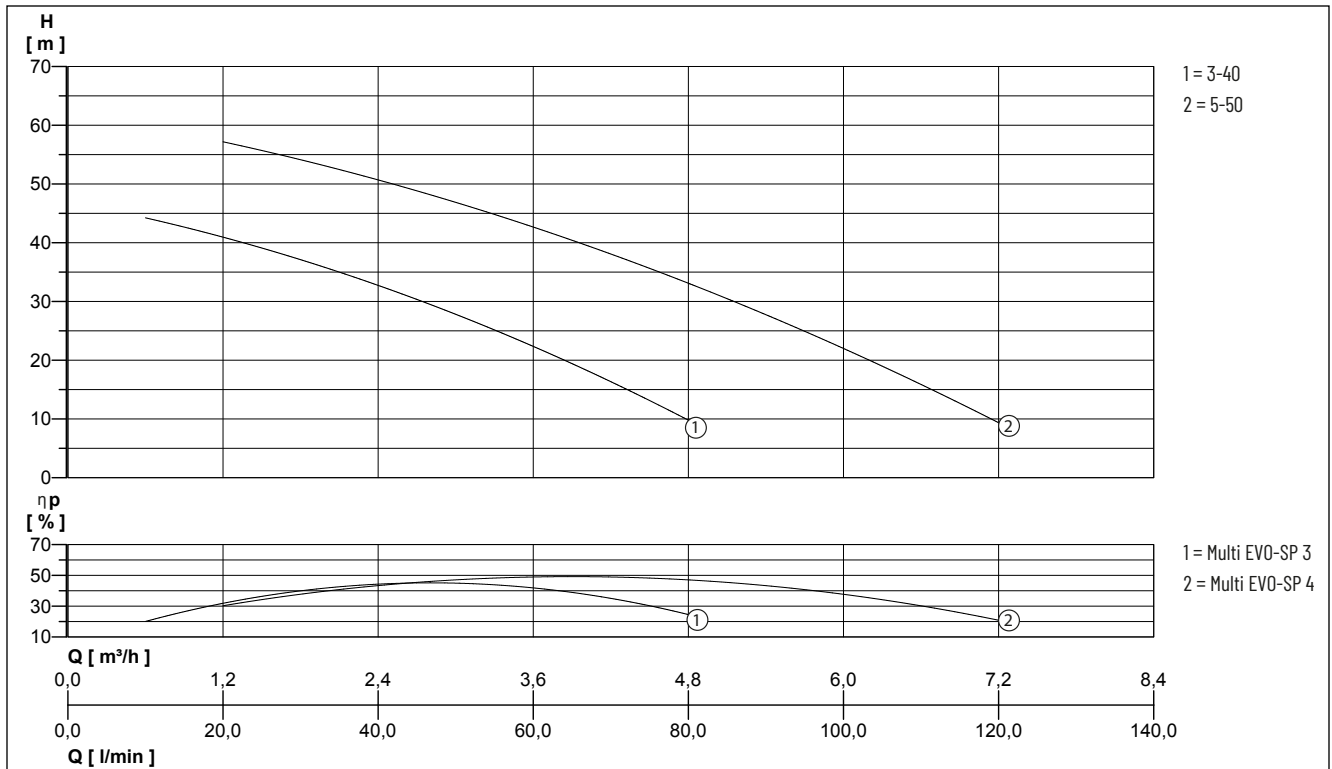
DESCRIPTION

Multi EVO-SP is a multi-stage centrifugal horizontal pump with an inlet with axial thread and an outlet with radial thread. The innovative, high efficiency hydraulic system is connected to a motor of the latest generation with a mechanical seal. Particularly suitable for the pumping of sea water and pool water.

APPLICATIONS

- Pressurization and supply
- Irrigation
- Cleaning of pools with chlorinated water
- Cleaning of pools with sea water
- Pumping of aggressive liquids (compatibly with the type of materials)

PERFORMANCE



We reserve the right to change specifications without notice. Pump performance is subject to ISO 9906 ISO 9906:2012 - Grade 3B tolerances.

Type	Flow rate Q [m³/h]	0.6	1.2	1.8	2.4	3	3.6	4.8	6	7.2
MULTI EVO-SP 3-40 M/T	Delivery head H [m]	44.0	41.0	37.5	33.0	27.5	22.0	10.0		
MULTI EVO-SP 5-50 M/T			57.0	54.0	51.0	47.0	43.0	32.5	22.0	9.5

MULTI EVO-SP

HORIZONTAL MULTISTAGE - SURFACE PUMPS

MECHANICAL DATA

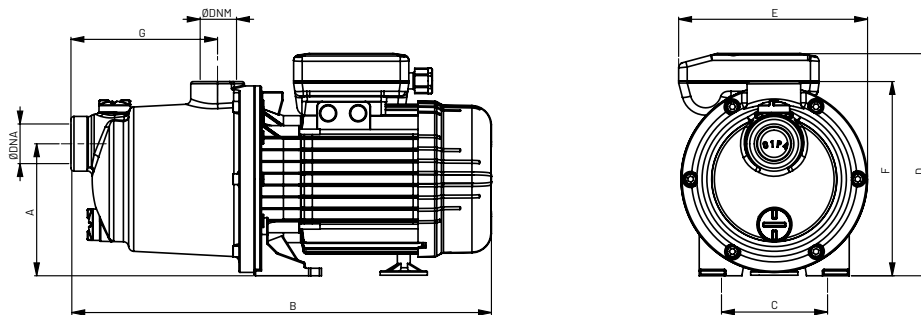
Shaft	Stainless steel Europe: EN10088-1 X2CrNiMo17-12-2 (1.4404) USA: AISI 316	Counterface	Ceramic / NBR
Impeller	PPO reinforced with fibreglass	Operating pressure max.	7 bar
Motor housing	Die-cast aluminium	Type of liquid	clean water without suspended solids or abrasive material
Pump housing	PPO reinforced with fibreglass	Temperature of the liquid max.	50 °C
Diffuser	PPO reinforced with fibreglass	Suction height max	6 m
Mechanical seal	Carbon graphite / NBR / SS	Gasket	NBR 70 Shore A

ELECTRICAL DATA

Type of enclosure	IP 55	Ambient temperature max.	40 °C
Insulation class	F		

MULTI EVO-SP

Type	Code No.	Voltage	Motor rating		Current	Weight
			P1	P2		
MULTI EVO-SP 3-40 M	N4302540	1/N/PE~230 V	0.75 kW	0.40 kW	3.4 A	6.9 kg
MULTI EVO-SP 3-40 T	N4302640	3/PE~230/400 V	0.70 kW	0.50 kW	2.4 A/1.4 A	6.9 kg
MULTI EVO-SP 5-50 M	N4304550	1/N/PE~230 V	1.30 kW	0.75 kW	6.0 A	10.1 kg
MULTI EVO-SP 5-50 T	N4304250	3/PE~230/400 V	1.25 kW	0.90 kW	3.8 A/2.2 A	10.1 kg



DIMENSIONS [mm]

Type	A	B	C	D	F	G	DNA	DNM	E
MULTI EVO-SP 3-40 M/T	123	373	99	199	182	137	1"	1"	177
MULTI EVO-SP 5-50 M/T	123	392	99	207	182	137	1"	1"	177