



Multi-stage centrifugal pumps, horizontal and self-priming, particularly suitable for constructing small and medium sized pressurisation systems; able to suck liquids mixed with air.

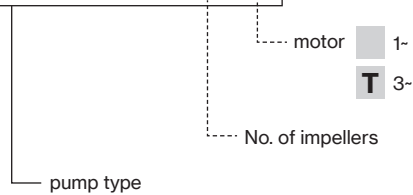
Construction features

Pump body	stainless steel AISI 304
Motor bracket	aluminum
Impeller	Noryl®
Mechanical seal	ceramic-graphite-NBR
Pump shaft	stainless steel AISI 416
Liquid temperature	0 - 50 °C
Operating pressure	max 8 bar

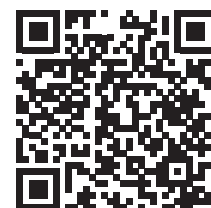
Motor

	3~ 230/400V - 50Hz
2 poles induction motor	1~ 230V - 50Hz (with thermal protection)
Insulation class	F
Protection degree	IPX4

JXM 105 /4 T



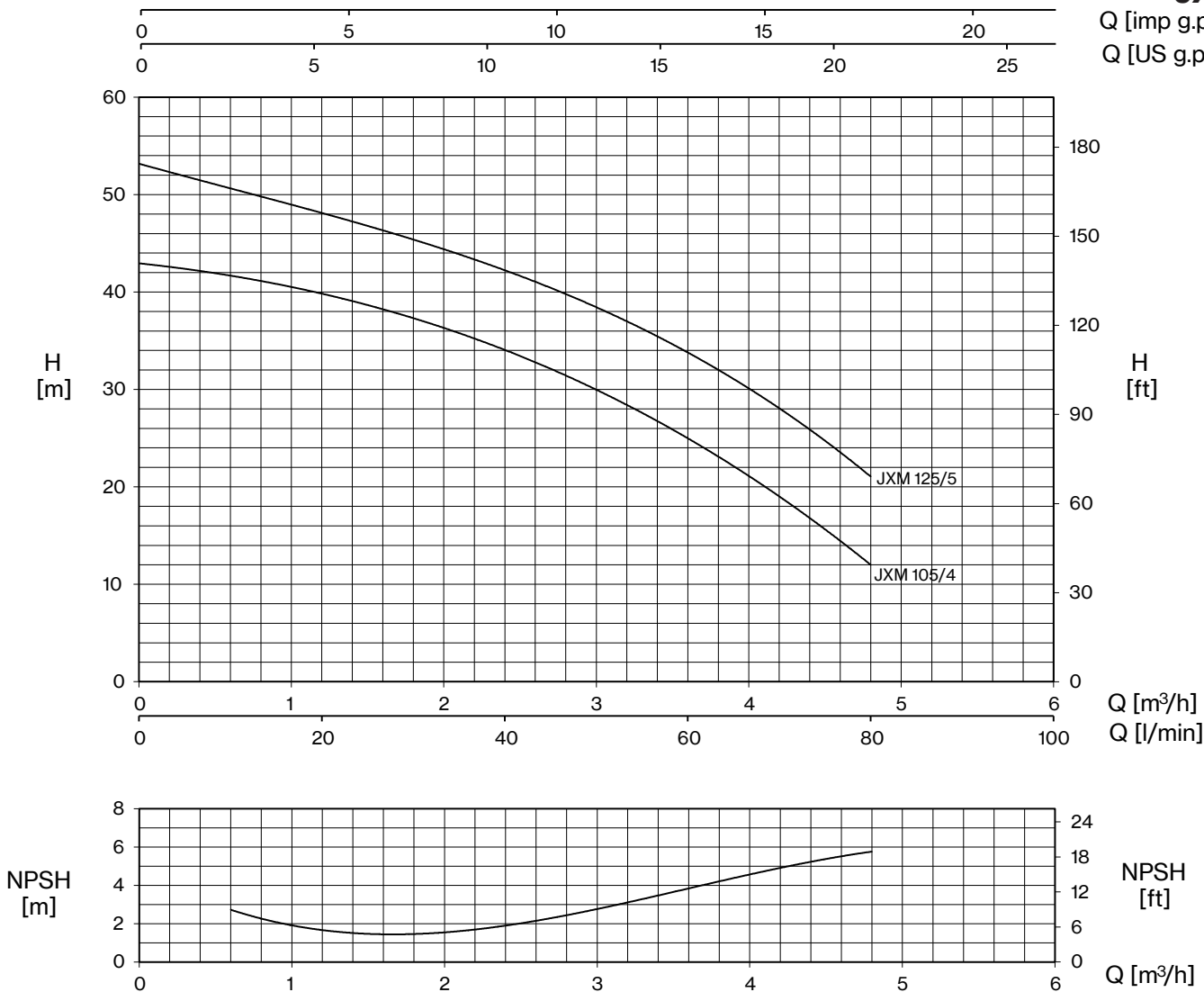
TYPE	LOTS			
	TRUCK		CONTAINER	
	PALLET (cm)	N° pumps	PALLET (cm)	N° pumps
JXM	85×110×170	60	85×110×190	80



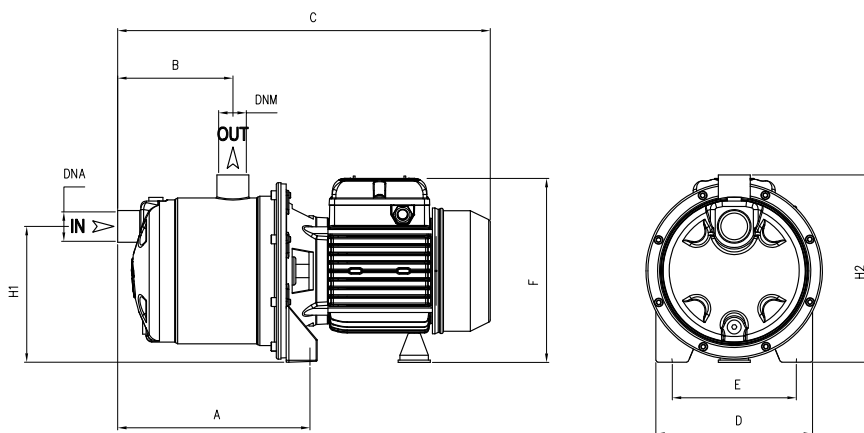
JXM

Q [imp g.p.m.]

Q [US g.p.m.]



TYPE - 50 Hz		P2		P1		CURRENT		Q (m³/h - l/min)					
1~	3~			1~	3~	1~ 230V	3~ 400V	0	0,6	1,2	2,4	3,6	4,8
		HP	kW	kW		A		H (m)					
JXM 105/4	JXM 105/4T	1	0,74	1,07	1,1	5,0	1,9	43,0	41,5	40,0	34,0	25,0	12,0
JXM 125/5	JXM 125/5T	1,2	0,88	1,27	1,33	6,1	2,3	53,0	51,0	48,0	42,0	34,0	21,0



TYPE		DIMENSIONS (mm)													
1~	3~	A	B	C	D	E	F	H1	H2	DNA	DNM	I	L	M	Kg
JXM 105/4	JXM 105/4T	208	128	410	175	140	215	153	210	1" G	1" G	430	210	235	11
JXM 125/5	JXM 125/5T	208	128	410	175	140	215	153	210	1" G	1" G	430	210	235	11,5

JXM GARDEN-BOX

Portable electropumps complete with handle, cable with plug and switch.
The performances depend on adopted pump type.

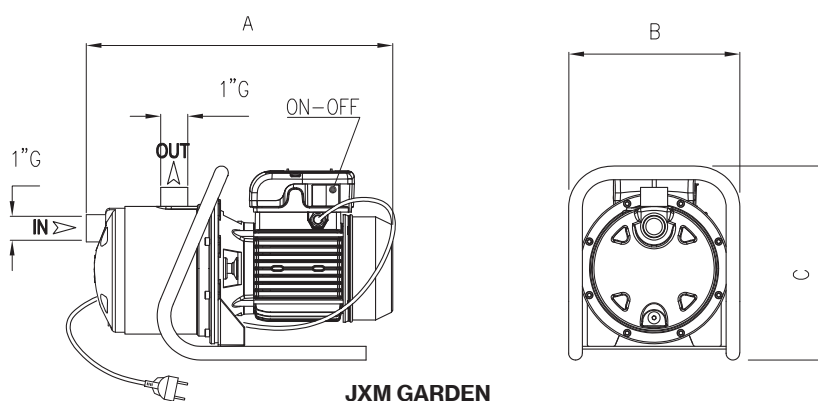


JXM GARDEN

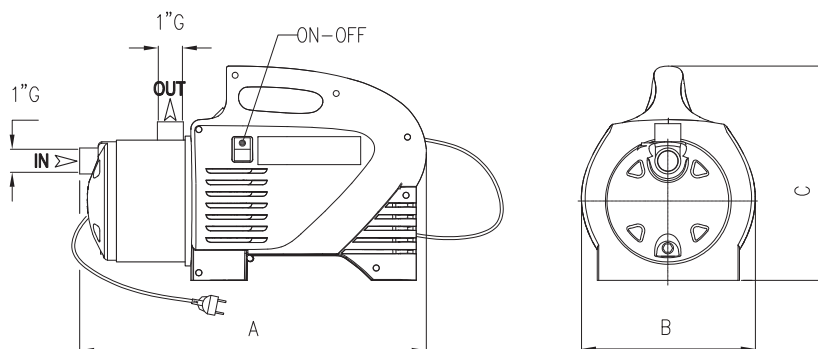


JXM BOX

TYPE - 50 Hz	P2		P1	Pipe		Performance	
	HP	kW	kW	Suction	Delivery	Q (l/min)	H (m)
JXM 100/4 GARDEN-BOX	1	0,74	1,07	1" G	1" G	10,0-80,0	41,5-12,0
JXM 120/5 GARDEN-BOX	1,2	0,88	1,27			10,0-80,0	51,0-21,0



JXM GARDEN



JXM BOX

TYPE	DIMENSIONS (mm)		
	A	B	C
JXM 100/4 GARDEN	410	175	285
JXM 120/5 GARDEN	410	175	285
JXM 100/4 BOX	429	209	287
JXM 120/5 BOX	410	175	285