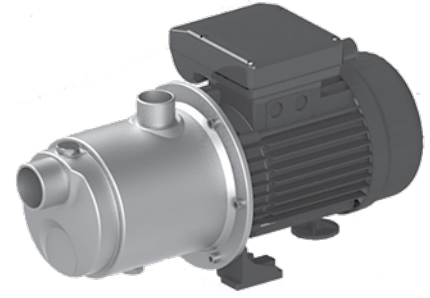


MULTI EVO

HORIZONTAL MULTISTAGE - SURFACE PUMPS

- Low energy consumption thanks to the highly efficient hydraulic system
- High efficiency
- High reliability - thanks to the durable and innovative design
- Silent operation - improved user comfort thanks to its silent operation
- Compact dimensions
- Wide range
- High-efficiency motors according to EU(2019)/1781



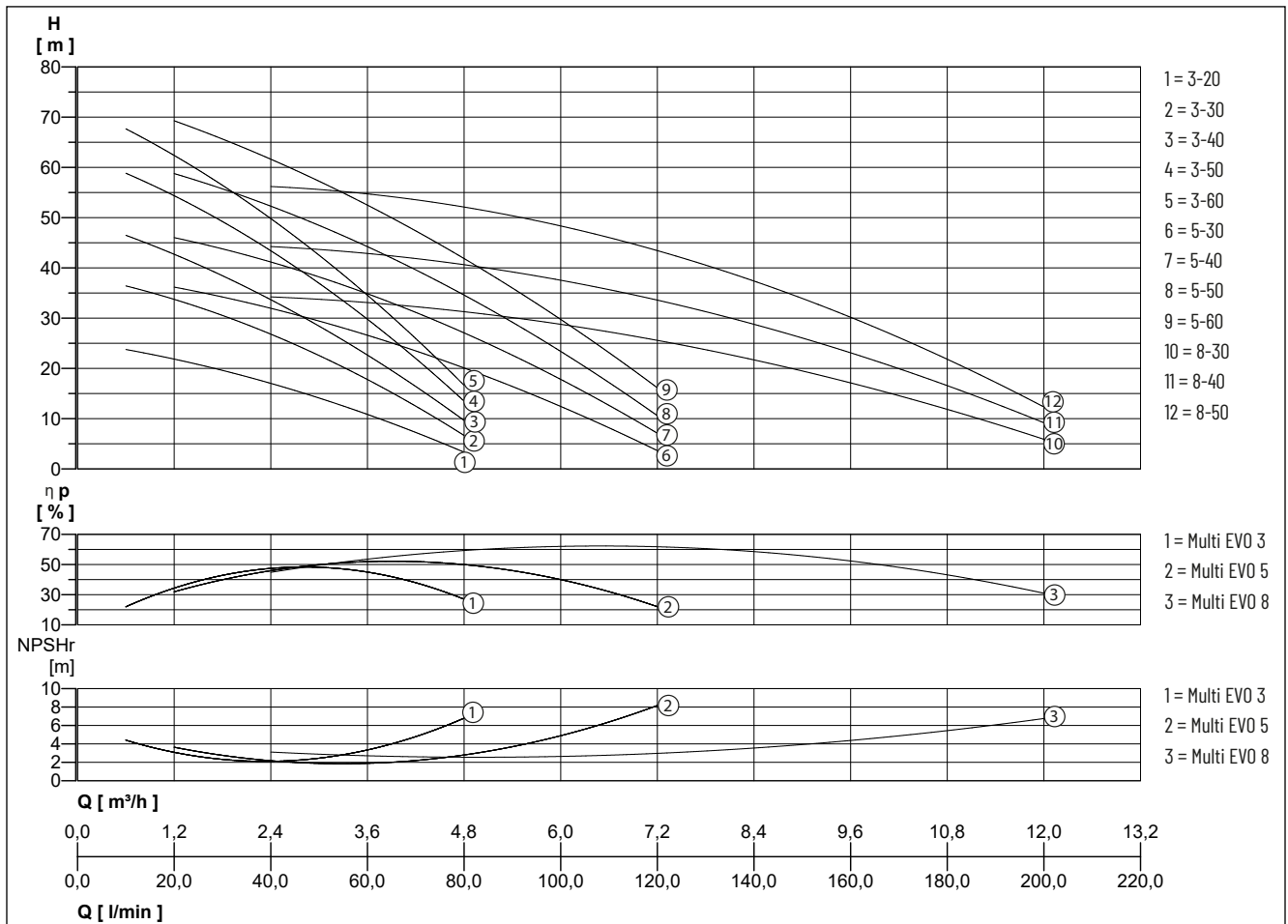
DESCRIPTION

Multi EVO is a multi-stage centrifugal horizontal pump with an inlet with axial thread and an outlet with radial thread. The innovative, high efficiency hydraulic system is connected to a motor of the latest generation with a mechanical seal.

APPLICATIONS

- Pressurization and supply
- Irrigation
- Use of rainwater
- Washing systems

PERFORMANCE



We reserve the right to change specifications without notice. Pump performance is subject to ISO 9906 ISO 9906:2012 - Grade 3B tolerances.

MULTI EVO

HORIZONTAL MULTISTAGE - SURFACE PUMPS

Type	Flow rate Q [m ³ /h]	0.6	1.2	1.8	2.4	3	3.6	4.8	6	7.2	8.4	9.6	10.8	12
MULTI EVO 3-20M	Delivery head H [m]	23.5	22.0	20.0	17.0	14.0	10.5	3.5						
MULTI EVO 3-30 M/T		36.0	34.0	31.0	27.0	22.5	17.0	7.0						
MULTI EVO 3-40 M/T		46.0	43.0	39.0	34.0	28.0	22.0	10.0						
MULTI EVO 3-50 M/T		58.0	55.0	50.0	44.0	36.0	29.0	14.0						
MULTI EVO 3-60 M/T		67.0	62.0	57.0	50.0	42.0	34.0	17.0						
MULTI EVO 5-30 M/T			36.0	34.0	32.0	30.0	27.0	19.5	12.0	4.0				
MULTI EVO 5-40 M/T			46.0	44.0	41.0	38.0	35.0	27.0	18.0	7.0				
MULTI EVO 5-50 M/T			58.0	56.0	53.0	49.0	44.0	34.0	23.0	11.0				
MULTI EVO 5-60 M/T			69.0	66.0	62.0	57.0	52.0	42.0	30.0	16.0				
MULTI EVO 8-30 M/T					34.0		33.5	31.0	29.0	25.5	22.0	16.5	12.0	6.0
MULTI EVO 8-40 M/T					44.5		42.5	40.5	37.5	34.0	29.0	23.0	16.0	9.5
MULTI EVO 8-50 M/T					56.5		54.5	51.5	48.5	44.0	37.5	30.0	21.5	12.5

MECHANICAL DATA

Impeller	PPO reinforced with fibreglass	Operating pressure max.	8 bar
Motor housing	Die-cast aluminium	Type of liquid	clean water without suspended solids or abrasive material
Diffuser	PPO reinforced with fibreglass	Temperature of the liquid max.	50 °C
Mechanical seal	Carbon graphite / NBR / SS	Suction height max	6 m
Counterface	Ceramic / NBR	Gasket	NBR 70 Shore A

ELECTRICAL DATA

Type of enclosure	IP 55	Ambient temperature max.	40 °C
Insulation class	F		

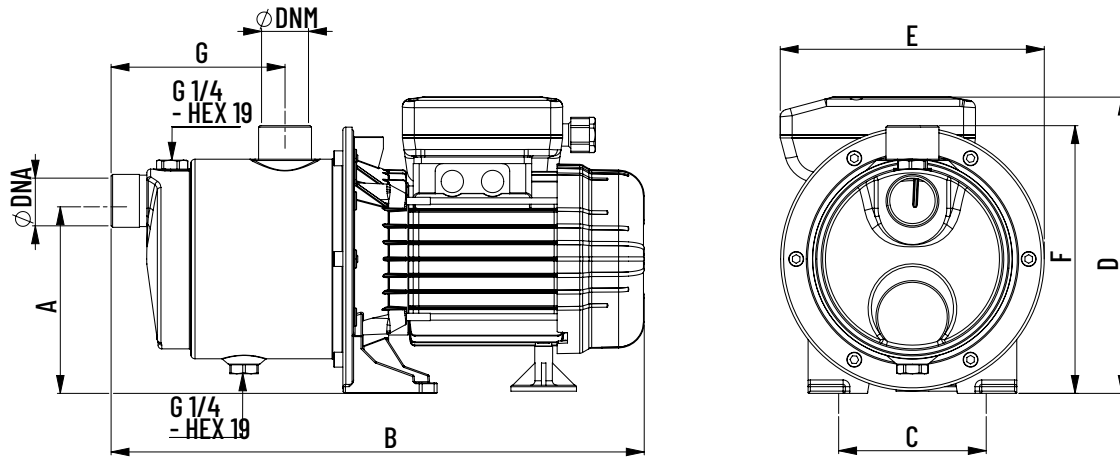
MULTI EVO

Type	Code No.	Voltage	Motor rating		Current	Weight
			P1	P2		
MULTI EVO 3-20M	N4252520	1/N/PE~230 V	0.44 kW	0.27 kW	2.00 A	6.7 kg
MULTI EVO 3-30 M	N4252530	1/N/PE~230 V	0.65 kW	0.37 kW	2.80 A	6.7 kg
MULTI EVO 3-30 T	N4252630	3/PE~230/400 V	0.60 kW	0.40 kW	2.30 A/1.30 A	6.7 kg
MULTI EVO 3-40 M	N4252540	1/N/PE~230 V	0.75 kW	0.40 kW	3.40 A	7.1 kg
MULTI EVO 3-40 T	N4252640	3/PE~230/400 V	0.70 kW	0.50 kW	2.40 A/1.40 A	7.1 kg
MULTI EVO 3-50 M	N4252550	1/N/PE~230 V	0.95 kW	0.55 kW	4.30 A	9.1 kg
MULTI EVO 3-50 T	N4252650	3/PE~230/400 V	0.95 kW	0.75 kW	3.30 A/1.90 A	9.1 kg
MULTI EVO 3-60 M	N4252560	1/N/PE~230 V	1.20 kW	0.75 kW	5.60 A	10.8 kg
MULTI EVO 3-60 T	N4252260	3/PE~230/400 V	1.17 kW	0.82 kW	3.50 A/2.00 A	10.8 kg
MULTI EVO 5-30 M	N4254530	1/N/PE~230 V	0.75 kW	0.40 kW	3.40 A	7.1 kg
MULTI EVO 5-30 T	N4254630	3/PE~230/400 V	0.70 kW	0.50 kW	2.40 A/1.40 A	7.1 kg
MULTI EVO 5-40 M	N4254540	1/N/PE~230 V	1.00 kW	0.55 kW	4.60 A	8.8 kg
MULTI EVO 5-40 T	N4254240	3/PE~230/400 V	1.10 kW	0.75 kW	3.50 A/2.00 A	8.8 kg
MULTI EVO 5-50 M	N4254550	1/N/PE~230 V	1.30 kW	0.75 kW	6.00 A	10.4 kg
MULTI EVO 5-50 T	N4254250	3/PE~230/400 V	1.25 kW	0.90 kW	3.70 A/2.10 A	10.4 kg
MULTI EVO 5-60 M	N4254560	1/N/PE~230 V	1.60 kW	1.30 kW	7.00 A	13.5 kg
MULTI EVO 5-60 T	N4254260	3/PE~230/400 V	1.57 kW	1.20 kW	5.30 A/3.10 A	13.5 kg
MULTI EVO 8-30 M	N4257530	1/N/PE~230 V	1.23 kW	0.75 kW	5.70 A	10.5 kg
MULTI EVO 8-30 T	N4257230	3/PE~230/400 V	1.20 kW	0.90 kW	3.70 A/2.10 A	10.5 kg
MULTI EVO 8-40 M	N4257540	1/N/PE~230 V	1.62 kW	1.30 kW	7.20 A	13.4 kg
MULTI EVO 8-40 T	N4257240	3/PE~230/400 V	1.50 kW	1.18 kW	5.00 A/2.95 A	13.4 kg
MULTI EVO 8-50 M	N4257550	1/N/PE~230 V	2.00 kW	1.30 kW	8.70 A	14.5 kg
MULTI EVO 8-50 T	N4257250	3/PE~230/400 V	1.95 kW	1.40 kW	6.70 A/4.00 A	14.5 kg

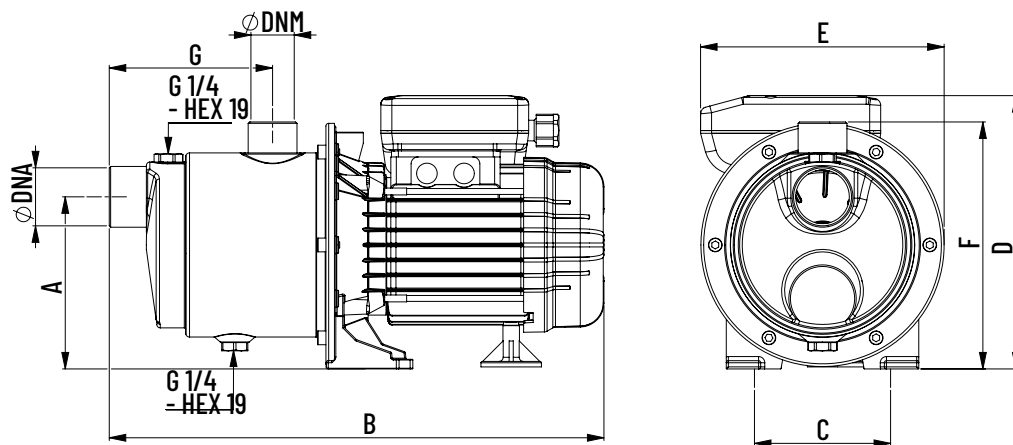
MULTI EVO

HORIZONTAL MULTISTAGE - SURFACE PUMPS

Version 3



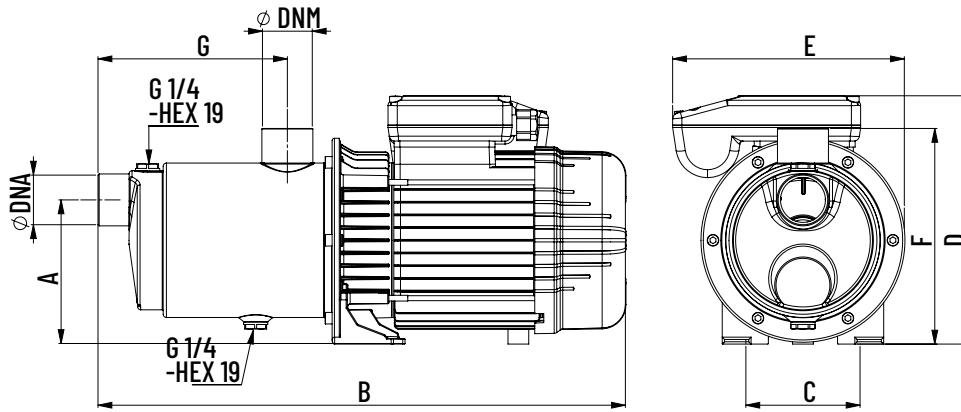
Version 5



MULTI EVO

HORIZONTAL MULTISTAGE - SURFACE PUMPS

Version 8



DIMENSIONS [mm]

Type	A	B	C	D	F	G	DNA	DNM	E
MULTI EVO 3-20M	129	356	100	199	180	116	1"	1"	177
MULTI EVO 3-30 M/T	129	356	100	199	180	116	1"	1"	177
MULTI EVO 3-40 M/T	129	356	100	199	180	116	1"	1"	177
MULTI EVO 3-50 M/T	129	400	100	207	180	139	1"	1"	177
MULTI EVO 3-60 M/T	129	422	100	207	180	161	1"	1"	177
MULTI EVO 5-30 M/T	125	360	100	199	180	119	1 1/4"	1"	177
MULTI EVO 5-40 M/T	125	380	100	207	180	119	1 1/4"	1"	177
MULTI EVO 5-50 M/T	125	402	100	207	180	142	1 1/4"	1"	177
MULTI EVO 5-60 M	125	457	100	215	180	164	1 1/4"	1"	203
MULTI EVO 5-60 T	125	457	100	215	180	164	1 1/4"	1"	177
MULTI EVO 8-30 M/T	125	398	100	207	187	137	1 1/4"	1 1/4"	177
MULTI EVO 8-40 M	125	430	100	215	187	137	1 1/4"	1 1/4"	203
MULTI EVO 8-40 T	125	430	100	215	187	137	1 1/4"	1 1/4"	177
MULTI EVO 8-50 M	125	457	100	207	187	164	1 1/4"	1 1/4"	203
MULTI EVO 8-50 T	125	457	100	207	187	164	1 1/4"	1 1/4"	177